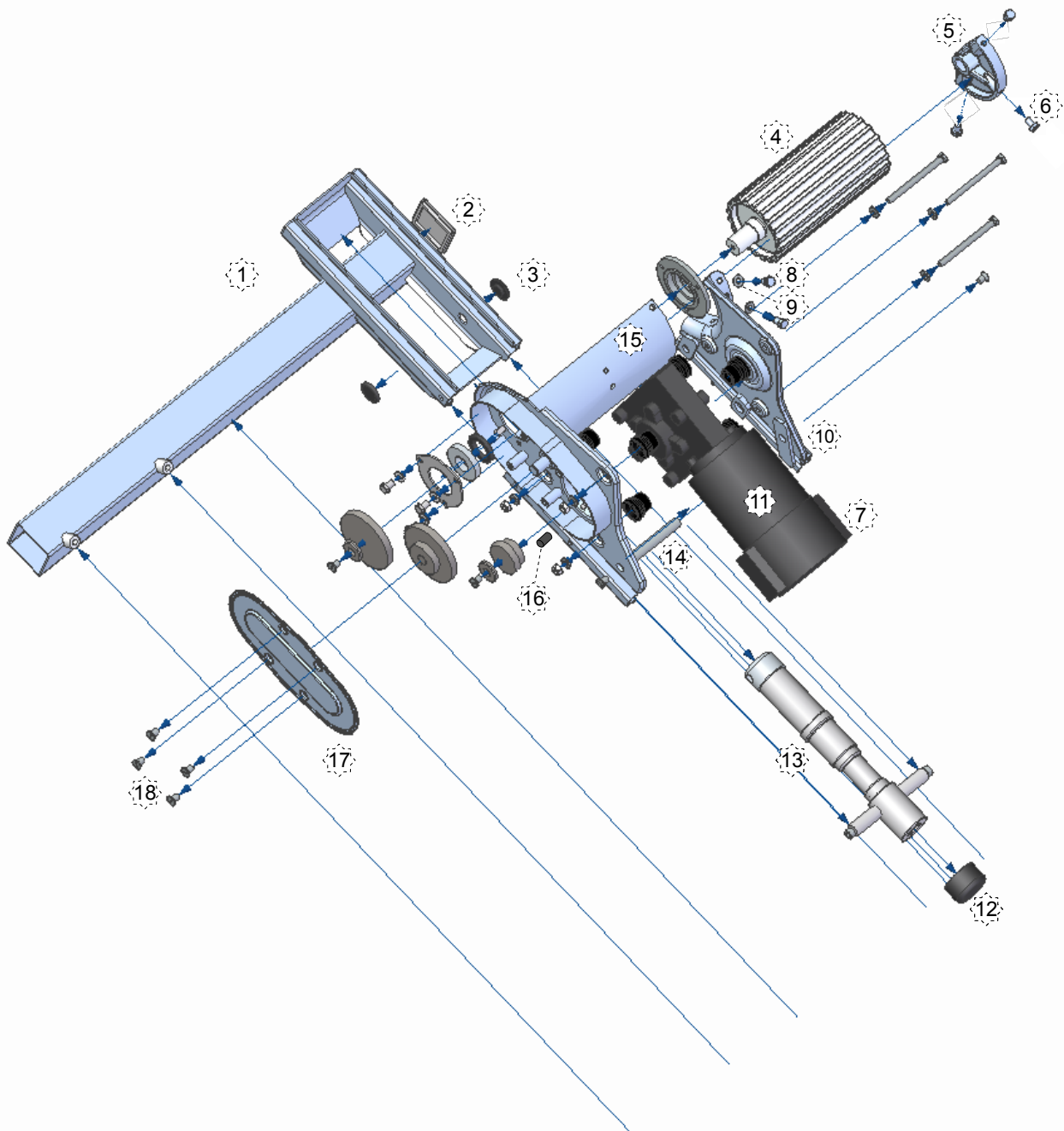




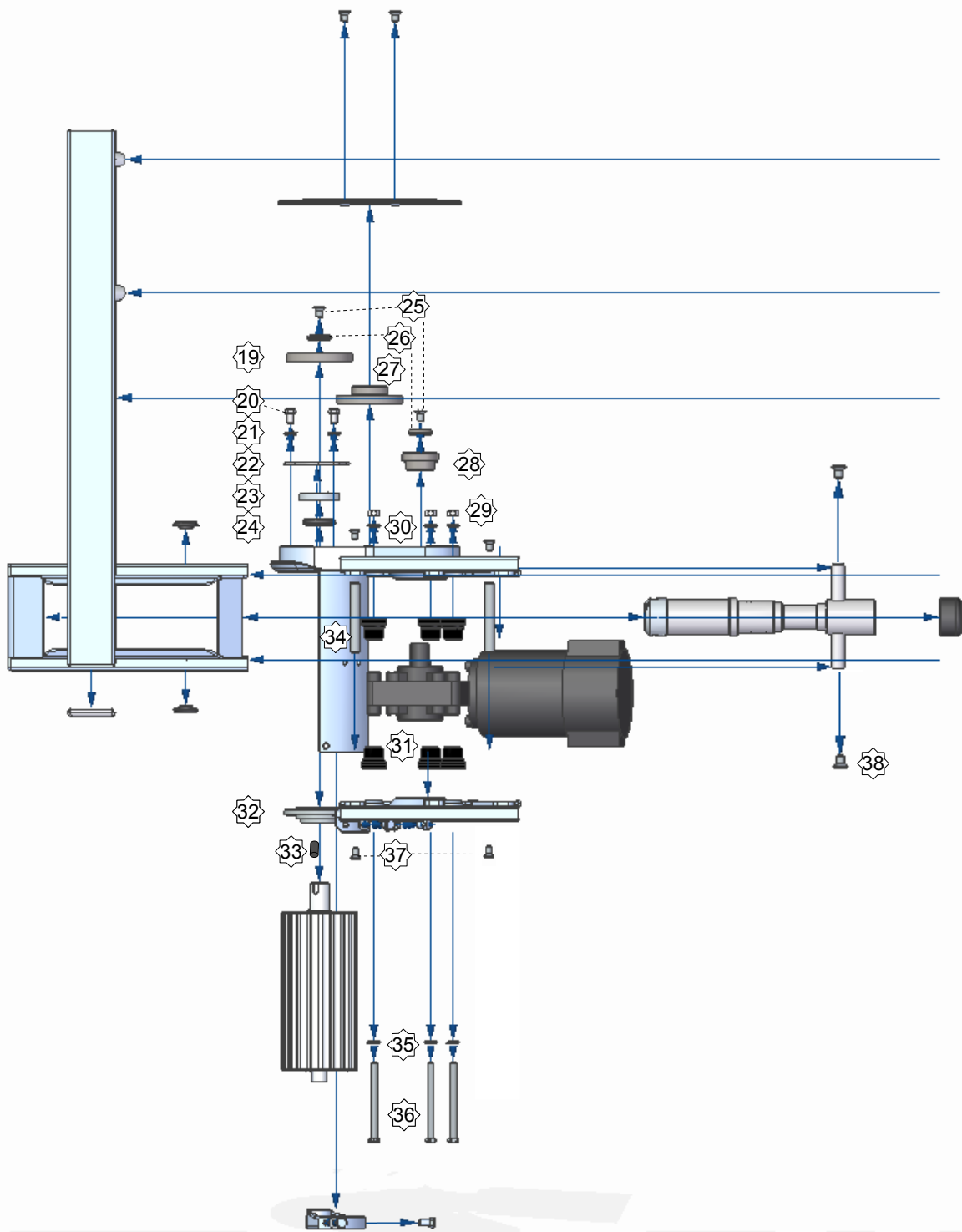
## **Parts Overview**

P1 Mover Automatic  
Mechanical Components Overview

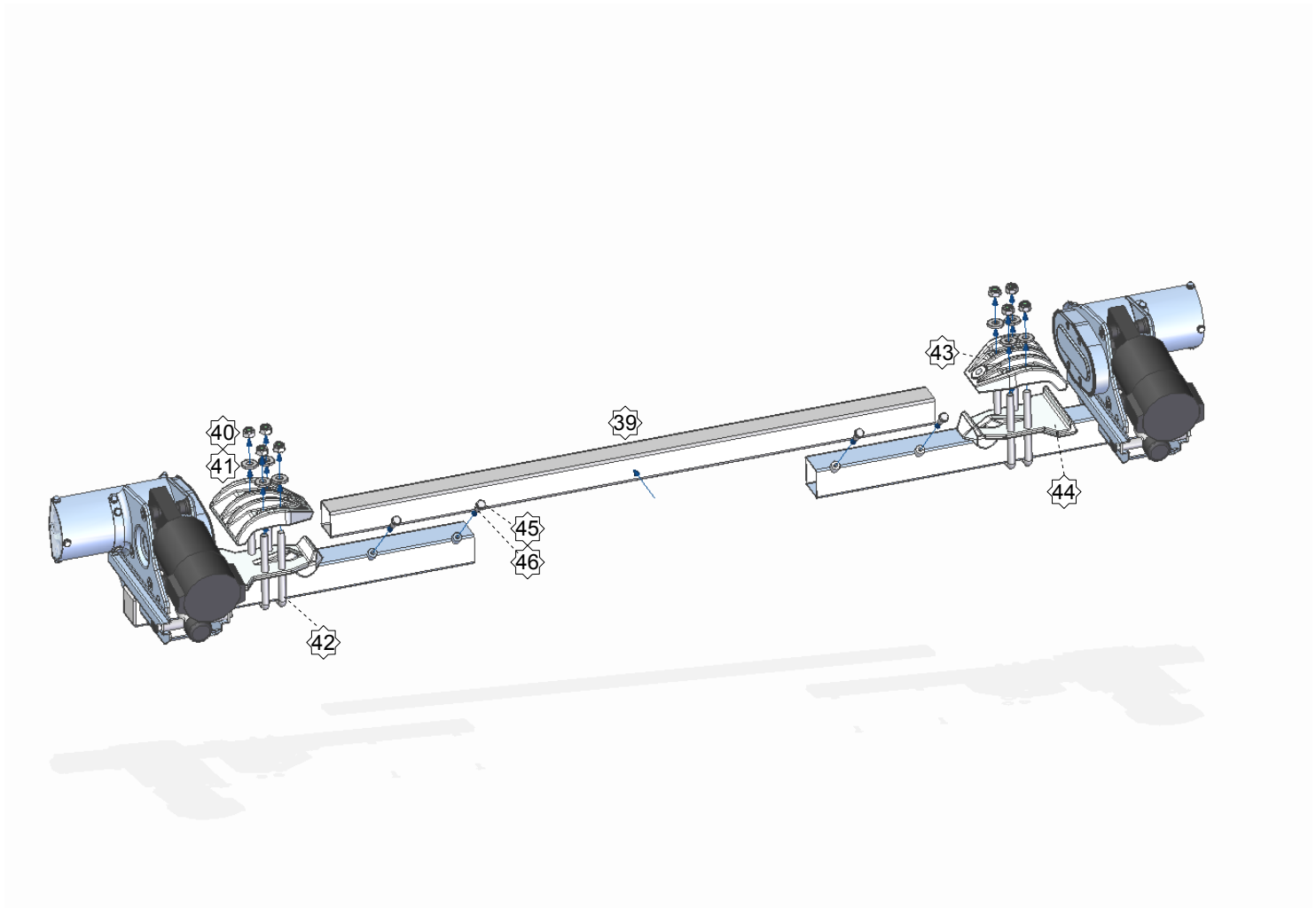
Issue 1.1



No	Description	Part No	Qty per unit	No	Description	Part No	Qty per unit
1	Support Chassis	201210NE01L 201210NE01R (not shown)	Left Right	10	Side plate	201210NE02L 201210NE02R (not shown)	Left Right
2	End bung	201210NE01.01	2	11	Motor assembly	201210NE10L 201210NE10R (not shown)	Left Right
3	End bung	201210NE01.02	4	12	Mud cover	201210NE07.01	2
4	Roller	201210NE09	2	13	Actuator assembly	201210NE07	2
5	Roller support	201210NE08	2	14	Pin	201210NE14	2
6	Countersunk screw	M6x10	6	15	Drive unit plate	201210NE03L 201210NE03R (not shown)	Left Right
7	Motor grommet	201210NE10.03	2	16	Motor shaft key	201210NE10.01	2
8	Screw	M6x10	8	17	Gearbox cover	201210NE02.05	2
9	Washer	M6	8	18	Countersunk screw	M6x10	8



No	Description	Part No	Qty per unit	No	Description	Part No	Qty per unit
19	Roller gear	201210NE05	2	29	Nut	M6	6
20	Screw	M6x10	6	30	Washer	M6	6
21	Washer	M6	6	31	Centering bush	201210NE10.02	12
22	Ring	201210NE15	2	32	Ring	201210NE17	2
23	Bearing	61004	2	33	Roller shaft key	201210NE09.01	2
24	Seal	24/34/5	2	34	Pin	201210NE18	2
25	Countersunk screw	M6x10	4	35	Washer	M6	6
26	Washer	201210NE16	4	36	Screw	M6x80	6
27	Middle gear	201210NE04	2	37	Countersunk screw	M6x10	8
28	Motor gear	201210NE06	2	38	Torx screw	M6x30	4



No	Description	Part No	Qty per unit	No	Description	Part No	Qty per unit
39	Centre bar	201210NE13	1	43	Upper bracket	201210NE11	2
40	Nut	M8 Nylock	8	44	Lower bracket	201210NE12	2
41	Washer	M8	8	45	Screw	M6x30	4
42	U-bolt	201210NE19	4	46	Nut	M6	4